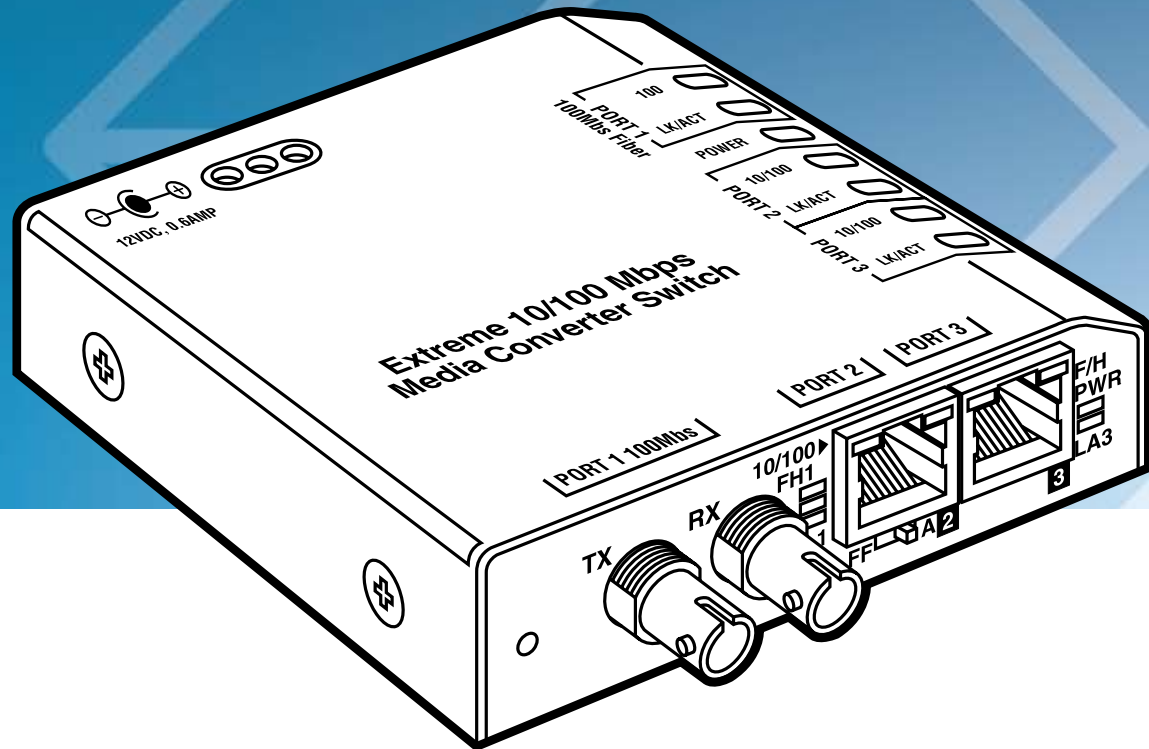


Extreme Media Converter Switches, 10-Mbps

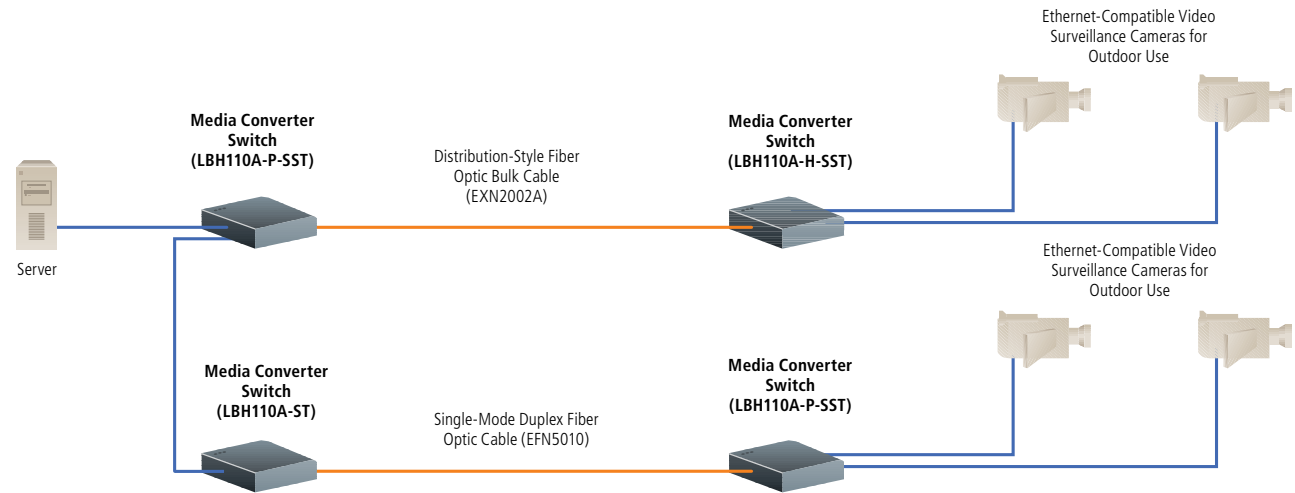
# Media Converter Switches for harsh outdoor environments.



## FEATURES

- » Suitable for harsh outdoor environments.
- » Provide one 10-Mbps fiber port and two 10-/100-Mbps UTP switch ports.
- » RJ-45 ports support autonegotiation, so you can easily attach any 10- or 100-Mbps device.
- » Available with many choices of AC and DC power supplies.

Access four Ethernet-compatible video surveillance cameras located outdoors and connected over fiber via an indoor or outdoor server.



## OVERVIEW

Media Converter Switches are the versatile way to extend your network. They're easy to use—literally plug-and-play—and offer many choices of fiber types, power types, and mounting options. These 10-Mbps fiber versions of our popular 100-Mbps Media Converter Switches enable you to link to older 10BASE-FX infrastructures.

### It's a media converter and a switch!

Media Converter Switches do more than just adapt from one cable type to another. They're true Ethernet switches and behave like switches within your Ethernet network. This means you can connect them together indefinitely without worrying about interrepeater links. Each Media Converter Switch features non-blocking switching architecture with a 2K MAC address table. The 128K buffer memory makes it easy to interconnect 10- and 100-Mbps devices.

### Tough enough for outdoor use.

Choose [Extreme Media Converter Switches](#) for outdoor use in exposed locations with temperature ranges of -40 to +167°F (-40 to +75°C)—all they need in the way of protection is shelter from direct rainfall. Like our hardened models, [Extreme Media Converter Switches](#) feature a sealed case that uses its own metal shell as a heat sink. Choose them for applications such as traffic signal control or for sensors or surveillance cameras in outdoor plants. [Extreme Media Converter Switches](#) are rated for above-the-ceiling plenum installation.

Media Converter Switches are also available in standard versions for office or wiring closet environments and hardened versions for demanding indoor environments such as factory floors. Because all

three types work together seamlessly, you can use inexpensive Standard Media Converter Switches in the protection of the wiring closet and choose the more robust Hardened or Extreme Media Converter Switches for harsh locations at your network's edge.

### Distance isn't a problem.

Because they're switches as well as media converters, Media Converter Switches provide more options in network topology, overcoming the distance limitations inherent with simple media converters—to add extra distance, just daisychain another Media Converter Switch. If you need more ports at your remote location, just add a Convenient Switch.

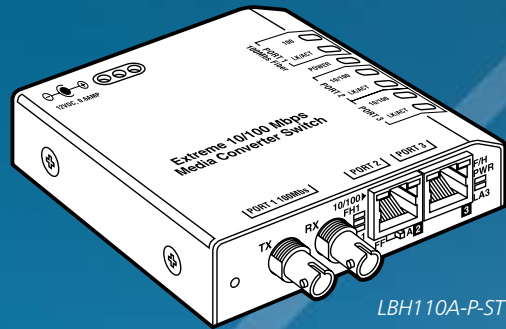
Multimode models support up to 2 kilometers (1.2 miles) between Media Converter Switches. For longer distances, choose single-mode models for up to 20 kilometers (12.4 miles).

### The features you're looking for.

Media Converter Switches are simple to set up and use—just plug and go!

Both copper ports are autosensing for speed and duplex, adjusting to the connected device automatically. Plus, the UTP ports feature auto-MDI/MDI-X, eliminating the need for crossover cables.

Media Converter Switches each have two full sets of LED indicators: one set on the front for viewing convenience when the Media Converter is DIN rail or wallmounted, and one set mounted in the end next to the media ports for easy viewing when units are in a rackmount tray.



LBH110A-P-ST

#### AC or DC power.

Extreme Media Converter Switches have the power options to support harsh environments, too. Models with AC power supplies support 100–240-VAC power. The power supplies with recessed IEC power connectors work with any IEC standard power cord, making them adaptable to most international locations.

DC-powered units have internal screw terminals for connecting DC power in addition to an AC power jack. Because these models have dual power connections, you can use them simultaneously with both your DC power supply and an AC power adapter (sold separately) to provide redundant power input.

#### Mounting options galore.

Media Converter Switches fit in where you need them. They come with neat, removable rubber feet so you can use them as standalone units. Or you can easily panelmount them with the included brackets and screws.

For use with DIN rails, order the optional DIN Rail Mounting Bracket. This handy bracket features springmounting, enabling you to easily pop your Media Converter Switches on and off the DIN rail without using a screwdriver or tightening set screws. DIN-rail-ready Media Converter Switches are also available.

For rackmounting in a central location, choose the Rackmount Tray or the Powered Rackmount Tray. The powered tray provides power for up to eight units.

### TECH SPECS

**Distance (Maximum)** — Multimode models: 2 km (1.2 mi.);

Single-mode SC models: 20 km (12.4 mi.);

Single-mode LC models: 15 km (9.3 mi.);

Single-mode, long-distance SC models: 40 km (24.9 mi.)

**MAC Addresses** — 2K

**Standards** — IEEE 802.3, IEEE 802.3u, IEEE 802.1p/q

**Enclosure** — Steel

**Connectors** — (2) RJ-45, (1) pair of ST®

**Indicators** — (1) Power LED; Per port LEDs: 10/100, full/half-duplex, Link/Act

**Power** — AC models:

100–240-VAC, 47–63-Hz external power supply;

12-VDC models: Internal terminal block for 12-VDC power plus jack for AC power supply (not included);

24-VDC models: Internal terminal block for 24-VDC power plus jack for AC power supply (not included);

**Temperature Tolerance** —

Storage: -40 to +185°F (-40 to +85°C);

Long-term operating: -40 to +167°F (-40 to +75°C);

Short-term operating: -58 to +212°F (-50 to +100°C);

Cold start to -40°F (-40°C)

**Humidity** — 5 to 95%, noncondensing

**Altitude** — 200 to 13,000 ft. (-60.9 to 3962.4 m)

**Size** — 3.5"H x 3"W x 1"D (8.9 x 7.6 x 2.5 cm)

**Weight** — Media Converter Switches: 0.3 lb. (0.1 kg);

Power Supplies: 0.4 lb. (0.2 kg)

#### Item

#### Code

Extreme Media Converter Switches, 10-/100-Mbps Multimode Fiber	
100–240-VAC, ST	<b>LBH110A-P-ST</b>
100–240-VAC with IEC, ST	<b>LBH110AE-P-ST</b>
12-VDC, ST	<b>LBH110A-P-ST-12</b>
24-VDC, ST	<b>LBH110A-P-ST-24</b>
24-VDC, ST, DIN Rail Mountable	<b>LBH110A-PD-ST-24</b>
Extreme Media Converter Switches, 10-/100-Mbps Single-Mode Fiber	
100–240-VAC with IEC, ST	<b>LBH110AE-P-SST</b>
24-VDC, ST, DIN Rail Mountable	<b>LBH110A-PD-SST-24</b>
AC Power Supply for Extreme Media Converter Switches, 100–240-VAC, 47–63-Hz	<b>LBH100A-P-PS</b>
AC Power Supply for Extreme Media Converter Switches, 100–240-VAC, 47–63-Hz with IEC Connector	<b>LBH100AE-P-PS</b>
DIN Rail Mounting Bracket	<b>DIN-RAIL MC2</b>
Rackmount Tray	<b>LE1505-RACK</b>
Powered Rackmount Tray	<b>LH1505P-RACK</b>