

Product Data Sheet

32-Device iPad®, Chromebook™, Tablet, and Laptop Cart— Steel Top, Fixed Shelves, and Hinged Doors



LCC32H-A, Front

About the timers:

4-bank timer: Every 15 minutes, CARTTIMER1 cycles between 4 banks (each bank is one outlet). In one hour, each bank is on and charging for 15 minutes.

Basic Features

- Secure, charge, store, and protect up to 32 iPads, Chromebooks, tablets, laptops or other devices in our one-size-fits-all cart.
- One-size-fits-all shelf has slots that can accommodate most devices on the market, so when you upgrade devices, you won't need to buy a new cart.
- Single Carts hold more in a smaller footprint, while still offering a usable smooth metal working surface that can serve as a podium.
- Ships assembled.
- Provides superior cable management for laptops and Chromebooks.
- This high-quality cart is made of durable, sturdy metal. It rivals competitors' carts that cost much more.
- Locking rear access panel.
- LCC32H-AT includes cart plus a 4-bank timer (CARTTIMER1).
- The timers can also be ordered separately if you order the LCC32H-A now and then decide you need a timer later.
- Includes (2) locking and (2) swiveling 3" casters.
- Includes three 12-outlet power strips.
- When you need to store and charge multiple laptops, Chromebooks, iPads, tablets, or other devices in your classroom, hospital, airport, or restaurant, this cart makes the grade.

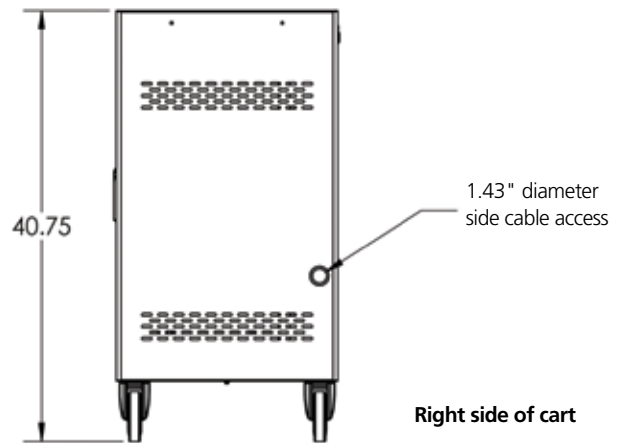
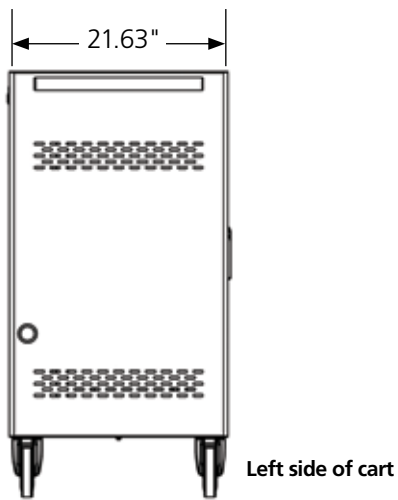
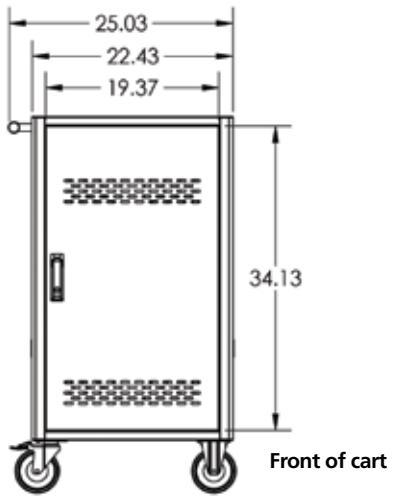


32-Device iPad, Chromebook, Tablet, and Laptop Cart

Technical Specifications

Approvals	UL® approved power strip
Assembled	Yes
Cable Access	Side sections each have a 1.43" diameter hole
Color	Gray
Construction	Steel with vented sides
Device Capacity	32 iPads, Chromebooks, and/or tablets
Locking	Key: Locking front door and rear access panel for easy cable management (keyed the same)
Power	Input: 110–120 VAC (6-foot attached power cord included), 50/60 Hz, Plug type: 5-15P, Outlet type: 5-15R; Outlet count: (36), via (3) 12-outlet power strips; On/Off switch: Yes
Dimensions	Storage Slots:(32) total on (2) 11-slot shelves and (1) 10-slot shelf; Height: 10" (25.4 cm); Width, Minimum: 1.28" (3.25 cm); Depth: 14" (35.56 cm); Cart: 40.75"H x 25.03"W x 21.63"D (103.5 x 63.6 x 55 cm); Shipping Carton: 48.5"H x 35"W x 32"D (123.19 x 88.9 x 81.28 cm)
Weight Capacity on Top Surface	50 lb. (22.7 kg)
Warranty	Carts: Lifetime; Electronics: 3 years The Black Box Double Diamond Warranty is our no-questions-asked warranty that protects your Black Box carts and locker from manufacturer defects, accidental damages, liquid spills, and power surges.

Dimensional Diagrams

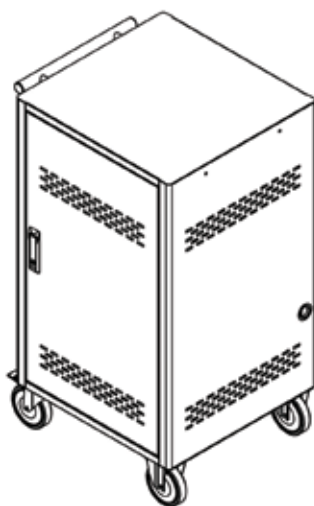


32-Device iPad, Chromebook, Tablet, and Laptop Cart

Dimensional Diagrams (Continued)



NOTE: Add cable management (LCC32H-AC) and timers (LCC32H-AT, LCC32H-AT2) or both (LCC32H-ACT, LCC32H-ACT2).



Ordering Information

Item	Code
32-Device iPad, Chromebook, Tablet, and Laptop Cart Assembled	LCC32H-A
Includes CARTTIMER1	LCC32H-AT
Includes Front Cable Management Bars (LCCCM)	LCC32H-AC
Includes CARTTIMER1 and Front Cable Management Bars (LCCCM)	LCC32H-ACT
You might also need...	
4-Bank Timer	CARTTIMER1
Front Cable Management Bars	LCCCM

About Black Box:

Black Box is a leading technology product solutions provider that helps customers build, manage, optimize, and secure their networks. The Black Box quality management system is ISO 9001:2008 certified, and the company has received numerous industry recognitions. Black Box provides its customers with free, 24/7 pre- and post-sales technical support. The Black Box catalog and Web site offer an extensive range of infrastructure products including Cabling, Cabinets & Racks, Data Center Cooling Solutions, Power & Surge Protection, and Environmental Monitoring.

Disclaimer:

Black Box Network Services shall not be liable for damages of any kind, including, but not limited to, punitive, consequential or cost of cover damages, resulting from any errors in the product information or specifications set forth in this document, and Black Box Network Services may revise this document at any time without notice.

© Copyright 2015. Black Box Corporation. All rights reserved. Black Box® and the Double Diamond logo are registered trademarks of BB Technologies, Inc. UL is a registered trademark of Underwriters Laboratories. Any third-party trademarks appearing in this publication are acknowledged to be the property of their respective owners.

LCC32H-A_ds_Rev2