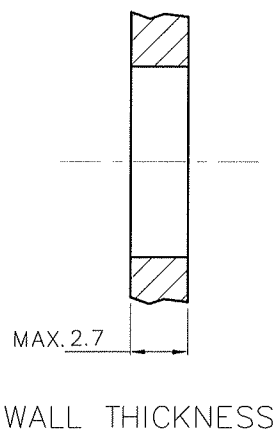
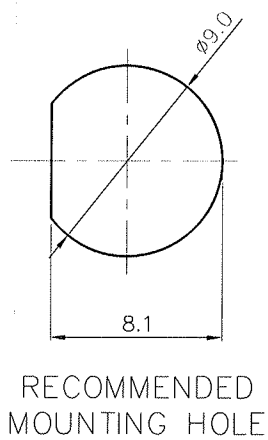
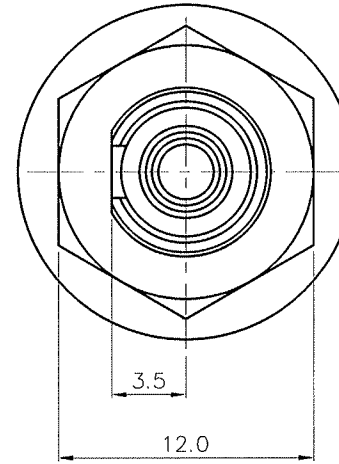
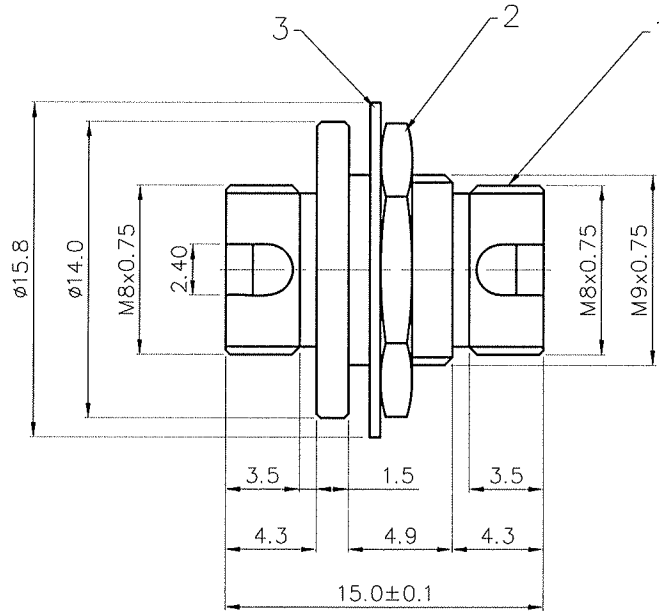


FILE NO. FOT100,FOT102
 PART NO. -

REV.	DESCRIPTION	DATE	ECO No.	APPVD
A	RELEASE TO PRODUCT	2010/11/05		CHANG



- NOTES:
- 1.INSERTION LOSS : 0.20dB/0.30dB (TYP./MAX.)
 - 2.RETENTION FORCE IS 200GF(1.96N)~600GF(5.88N).
 - 3.DURABILITY (500 MATINGS) 0.15dB MAX INCREASE.
 - 4.OPERATING TEMPERATURE -40°~+80°C.
 - 5.HUMIDITY 95% R.H.(NON-CONDENSING).
 - 6.ALL MATERIAL COMPLIANT WITH RoHS.
 - 7.BLACK BOX P/N :
 S.M. PhBr : FOT100
 S.M. ZrO2 : FOT102

NO.	PART NAME	Q'TY	MATERIAL	PROCESSING
3	WASHER	1	SUS 304	Stainless Steel
2	NUT	1	C3604B	Ni-Plating
1	HOUSING	1	C3604B	Ni-Plating

MATERIAL		SIGNATURE	DATE	Another quality product from BLACK BOX <small>734-248-3350 • www.blackbox.com</small>
QUANTITY		DRAWN	2010/11/05	
		PROJECT ENGINEER	2010/11/05	
		CHECKED	2010/11/05	
		APPROVED	2010/11/05	DWG. NAME
		DRAWING MANAGER	2010/11/05	FC ADAPTOR ϕ 14.0 Key 2.4mm (S.M. & M.M.)
				SIZE
				C FOT100,FOT102
				REV.
				A
				SCALE : N:A
				2010/11/05 SHEET 1 OF 1