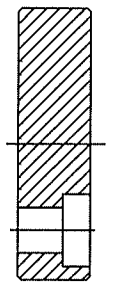
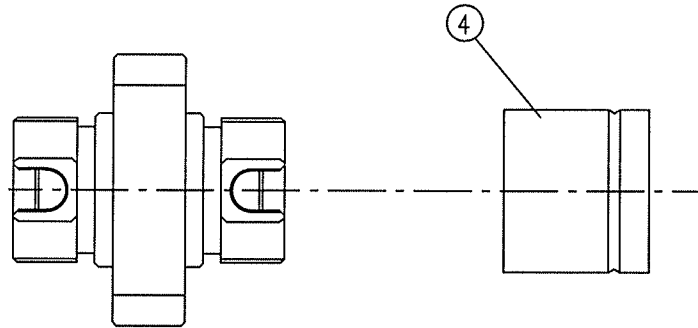
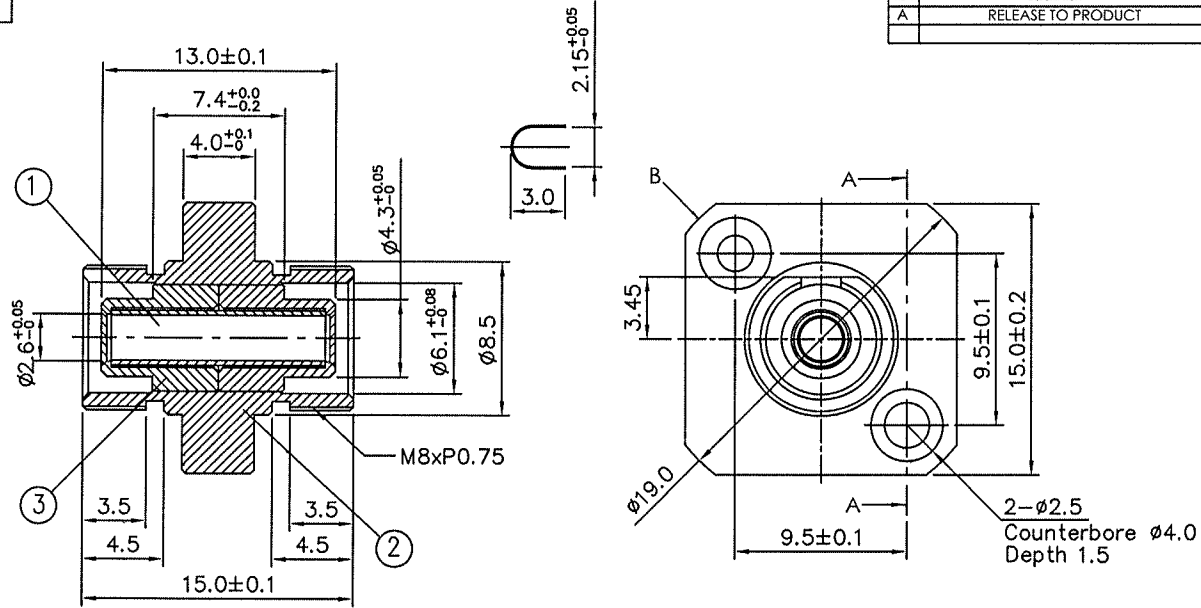


FILE NO. FOT101,FOT103
PART NO. -

REVISIONS			
REV.	DESCRIPTION	DATE	ECO No.
A	RELEASE TO PRODUCT	2010/11/05	
			APPRD
			CHANG



SECTION A-A

- NOTES:
1. INSERTION LOSS : 0.20dB/0.30dB (TYP./MAX.)
 2. RETENTION FORCE IS 200GF(1.96N)~600GF(5.88N).
 3. DURABILITY (500 MATINGS) 0.15dB MAX INCREASE.
 4. OPERATING TEMPERATURE -40~+80°C.
 5. HUMIDITY 95% R.H.(NON-CONDENSING).
 6. ALL MATERIAL COMPLIANT WITH RoHS.
 7. BLACK BOX P/N :
S.M. PhBr : FOT101
S.M. ZrO2 : FOT103

NO.	Part name	Q'TY	Material	Processing
4	Dust cap	2	PVC	N/A
3	Bush	1	Brass	Ni plating
2	Housing	1	Brass	Ni plating
1	Split sleeve	1	ZrO2 / PhBr	N/A

MATERIAL	QUANTITY	SIGNATURE	DATE	Another quality product from	
		LU	2010/11/05		
		LIU	2010/11/05		
		CHANG	2010/11/05	FC SQUARE ADAPTOR	
		CHUNG	2010/11/05	DWG. NAME	
				FOT101,FOT103	
				DATE : 2010/11/05	

SCALE : 2:1
DATE : 2010/11/05
SHEET 1 OF 1