

QUICK START GUIDE

LGC5400A

UPOE CONVERTER

24/7 TECHNICAL SUPPORT AT 877.877.2269 OR VISIT BLACKBOX.COM



®

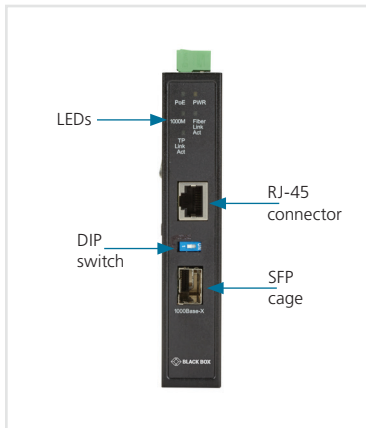
STEP 1 - Check the Package Contents

PACKAGE INCLUDES

1. One PoE Media Converter
2. This quick installation guide
3. Power adapter
4. U.S. power cord

YOU WILL ALSO NEED

SFP module (LFP411, LFP412, LFP413, LFP414, LFP418, or LFP420). See the next page for details.



STEP 2 - Install the SFP

1. Make sure you have one of the SFPs listed in Table 2-1.

TABLE 1-1. COMPATIBLE SFPS

PRODUCT CODE	SM OR MM	WAVELENGTH	MAXIMUM DISTANCE
LFP411	Multimode	850 nm	1804 ft. (550 m)
LFP412	Multimode	1310 nm	1.2 mi. (2 km)
LFP413	Single-mode	1310 nm	6.2 mi. (10 km)
LFP414	Single-mode	1310 nm	18.6 mi. (30 km)
LFP418	Single-mode	1550 nm	49.7 mi. (80 km)
LFP420	Single-mode	1550 nm	6.2 mi. (10 km)

2. Snap the SFP into place in the open SFP slot on the UPoE Converter.

NOTE: One SFP module is required for operation of the UPoE Converter.



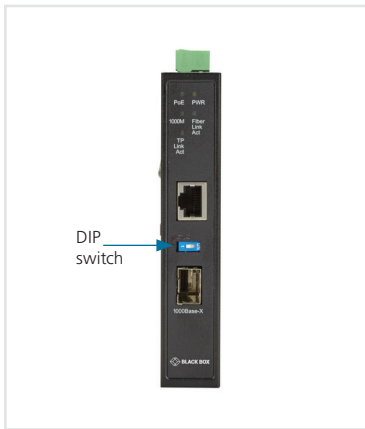
STEP 3 - Set the DIP Switch

DIP SWITCH

The DIP switch is located on the front panel of the converter (see the diagram at right).

TABLE 3-1. DIP SWITCH SETTINGS

DIP SWITCH	FUNCTION
ON	UPoE enable LLDP enable
OFF	UPoE disable LLDP disable



NOTE: The SFP module you installed in Step 2 will be in the SFP cage. Installed SFP not shown in the photo above.



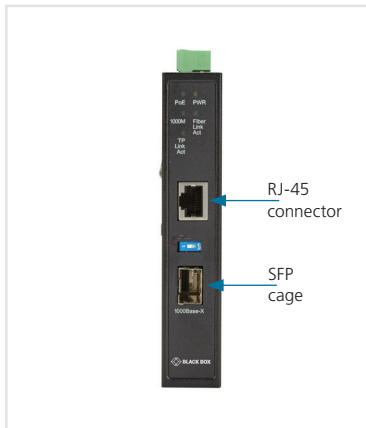
STEP 4 - Install the Cable

RJ-45 PORT

The TP port of converter supports 10Base-T, 100Base-TX, 1000BaseT, Auto-negotiation, Auto MDI/MDI-X, Flow control, and Power over Ethernet. The cable length can be up to 328 feet (100 meters) for CAT5, 5e, or 6 cables.

FIBER PORT

Depending on the SFP you are using, the fiber port supports multimode or single-mode fiber cables. See the table in Step 2 for compatible SFPs.



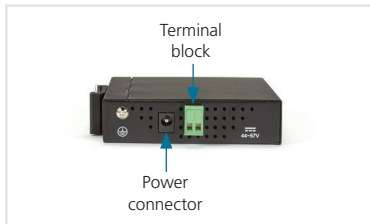
NOTE: The SFP module you installed in Step 2 will be in the SFP cage. Installed SFP not shown in the photo above.



STEP 5 - Apply Power and Mount to DIN Rail

POWER SUPPLY

Plug in the power supply or attach your own external power to the terminal block.



DIN RAIL

Install the converter on the DIN rail.



OPTIONAL: DOWNLOAD USER MANUAL

For product specifications and regulatory information, refer to the User Manual. You can download this document from our web site.

1. Go to www.blackbox.com
2. Enter the part number (LGC5400A) in the search box.
3. Click on the product in the "Product Results" page.
4. Click on the "Support" tab on the product page, and select the document you wish to download.

If you have any trouble accessing the Black Box site to download the manual, you can contact our Technical Support at 877-877-2269 or info@blackbox.com

NOTE: Input power terminal block is not polarity sensitive, either terminal can be used for positive or negative connection.



STEP 6 - Check the LEDs



LEDS

The LEDs on the UPoE converter are shown in the diagram at left.

NOTE: The SFP module you installed in Step 2 will be in the SFP cage. Installed SFP not shown in the photo at left.

TABLE 4-1. LEDS

LED	COLOR	DESCRIPTION
TP Link/Activity	ON green	Data activity on copper port
1000M	ON green	Operating at 1000 Mbps
POE	ON green	Converter is providing PoE power
Fiber Link/Activity	ON green	Data activity on fiber port
Power	ON Amber	Power to the unit is ON



**NEED HELP?
LEAVE THE TECH TO US**

**LIVE 24/7
TECHNICAL
SUPPORT**

1.877.877.2269