

## Product Data Sheet

## IN-SESSION Room Scheduler



RS-TOUCH7-W



RS-TOUCH7-M



RS-TOUCH12-W



RS-TOUCH12-M

### Overview

- Use to reserve boardrooms, conference rooms, lecture halls, auditoriums, classrooms, and any other meeting place.
- Works with Outlook, Microsoft Office 365, Microsoft Exchange Server, and Google Apps from Work, so you can easily reserve rooms directly from your computer or smartphone. Or, you can use the touch panel.
- Suitable for small offices as well as large corporations. It's scalable, enabling the use of dozens of touch panels that can be interconnected with a main panel to show all room reservations. You can check the status of the room from afar with just a glance at the touch panel LEDs.
- Features multilingual user interface: English, Czech, Danish, French, German, Latvian, Russian, and Spanish. Other languages are available on demand.

### Features

- View current status and availability of the room, including meeting details and room calendar.
- Quick and easy installation and setup. No programming needed.
- Configure via the touch panel or web GUI.
- Ethernet ports enable 10/100BASE-T network connectivity.
- PoE powered.
- RS-TOUCH7-W measures 1.5"D (3.9 cm) and RS-TOUCH12-W measures 1.8"D (4.7 cm). Both install in an electrical box and mount almost flush with the wall.
- RS-TOUCH7-M measures 1.1" D (2.6 cm) and RS-TOUCH12-M measures 1.3"D (3.3 cm), so they protrude only about 1" from the wall.

# IN-SESSION Room Scheduler Data Sheet

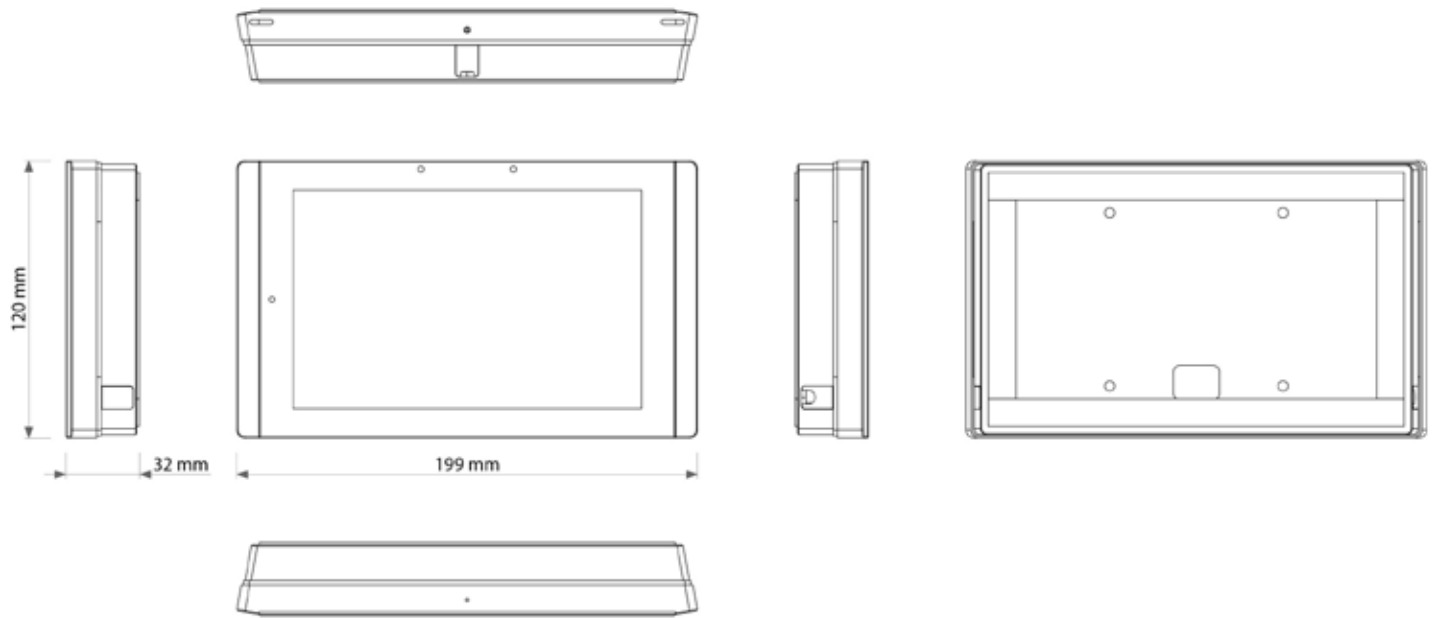
## Specifications

Connectors	(1) RJ-45
Display Type	Color a-Si TFT LCD, LED backlit
Display Size	RS-TOUCH7-W, RS-TOUCH7-M: 7" Diagonal; RS-TOUCH12-W, RS-TOUCH12-M: 12" Diagonal
Resolution	1280 x 800 p
Viewing Angle	±80 degrees horizontal and vertical
Touch Technology	Projected capacitive
Sensors	Light, proximity
Indicators	LEDs: green for free, red for occupied
Interface	Wired 10/100BaseT Ethernet
Power	IEEE 802.3af PoE; 100-240 VAC, 50/60 Hz
Enclosure	IP30, aluminum; Edge-to-edge front glass
Installation	Fits standard electrical wall boxes
Mounting Type	RS-TOUCH7-W, RS-TOUCH12-W: In-Wall; RS-TOUCH7-M, RS-TOUCH12-M: On-Wall
Dimensions	RS-TOUCH7-W: 4.7"H x 7.8"W x 1.5"D (12 x 19.9 x 3.9 cm); RS-TOUCH7-M: 4.7"H x 7.8"W x 1.1"D (12 x 19.9 x 2.6 cm); RS-TOUCH12-W: 7.8"H x 12.5"W x 1.8"D (20 x 32 x 4.7 cm); RS-TOUCH12-M: 7.8"H x 12.5"W x 1.3"D (20 x 32 x 3.3 cm)
Weight	RS-TOUCH7-W: 1.3 lb. (0.6 kg); RS-TOUCH12-W: 4.4 lb. (2 kg); RS-TOUCH7-M: 1.6 lb. (0.8 kg); RS-TOUCH12-M: 4.8 lb. (2.2 kg)

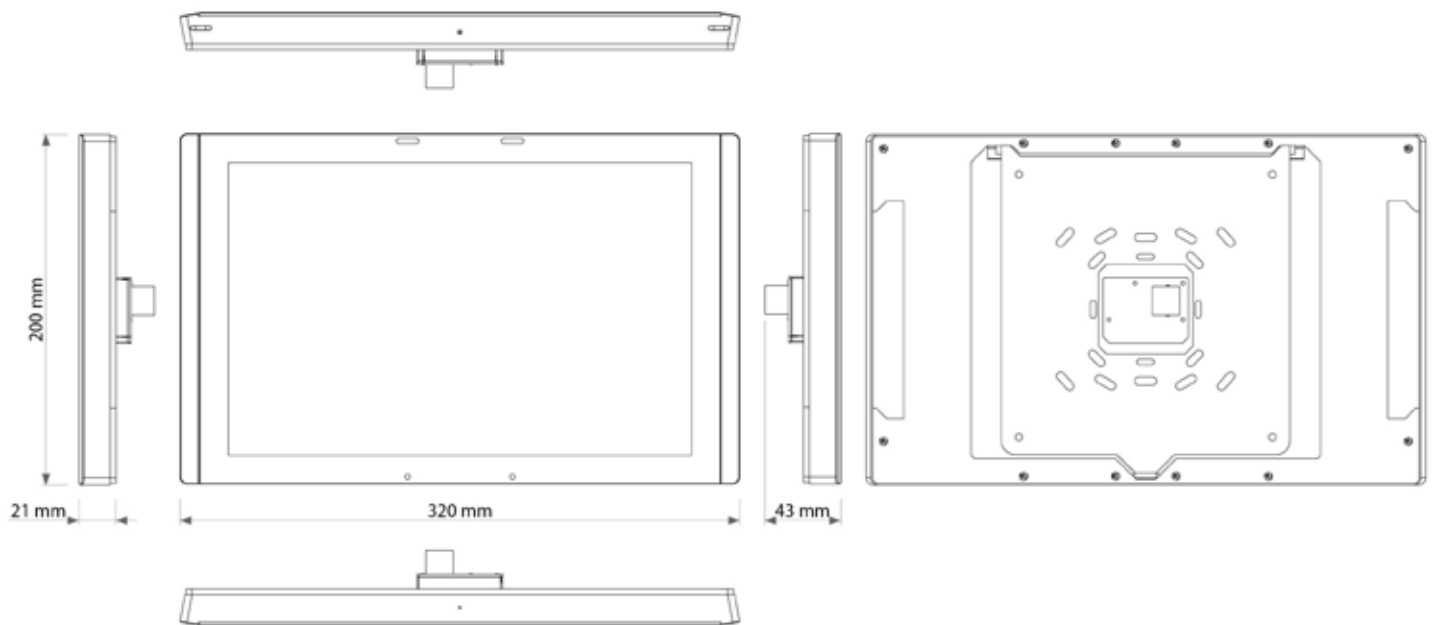
### Comparison Chart:

Part Number	Mounting Type	Installation	Display Size	Display Type	Resolution
RS-TOUCH7-W	In-Wall	Fits standard electrical wall box	7" diagonal	Color a-Si TFT LCD, LED backlit	1280 x 800 p
RS-TOUCH7-M	On-Wall	Fits standard electrical wall box	7" diagonal	Color a-Si TFT LCD, LED backlit	1280 x 800 p
RS-TOUCH12-W	In-Wall	Fits standard electrical wall box	12" diagonal	Color a-Si TFT LCD, LED backlit	1280 x 800 p
RS-TOUCH12-M	On-Wall	Fits standard electrical wall box	12" diagonal	Color a-Si TFT LCD, LED backlit	1280 x 800 p

Dimensional diagram of the RS-TOUCH7-W.

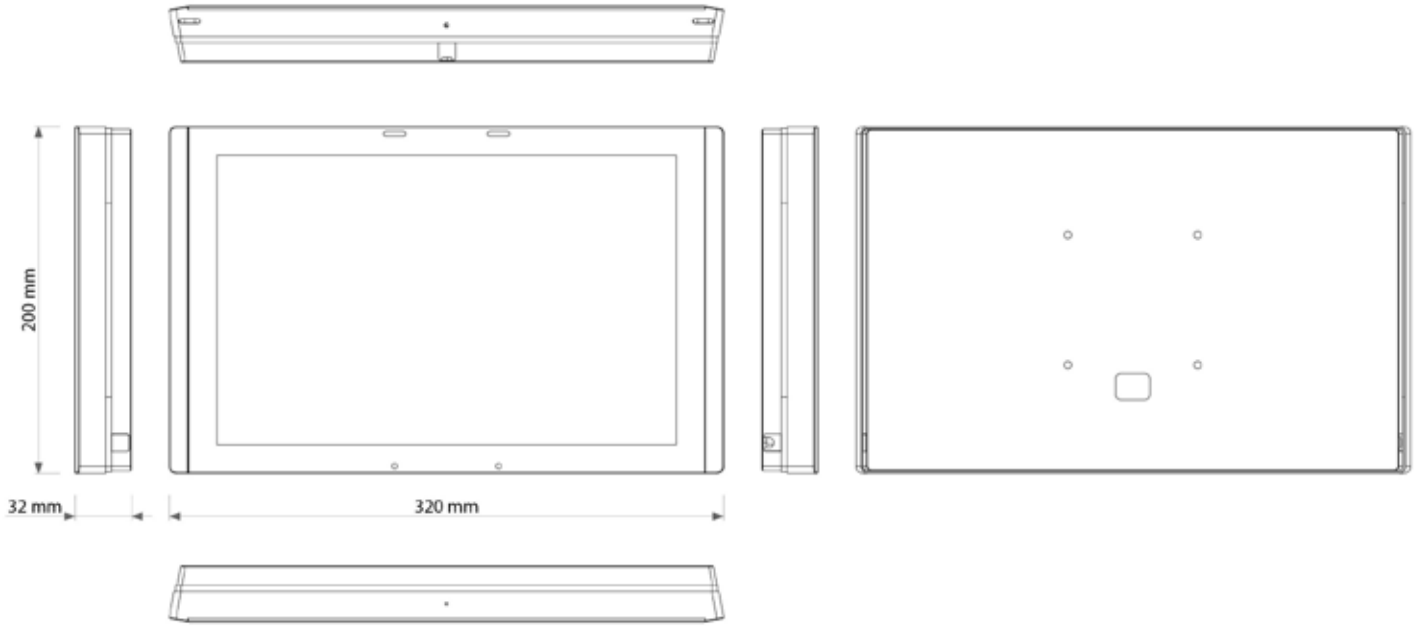


Dimensional diagram of the RS-TOUCH7-M.

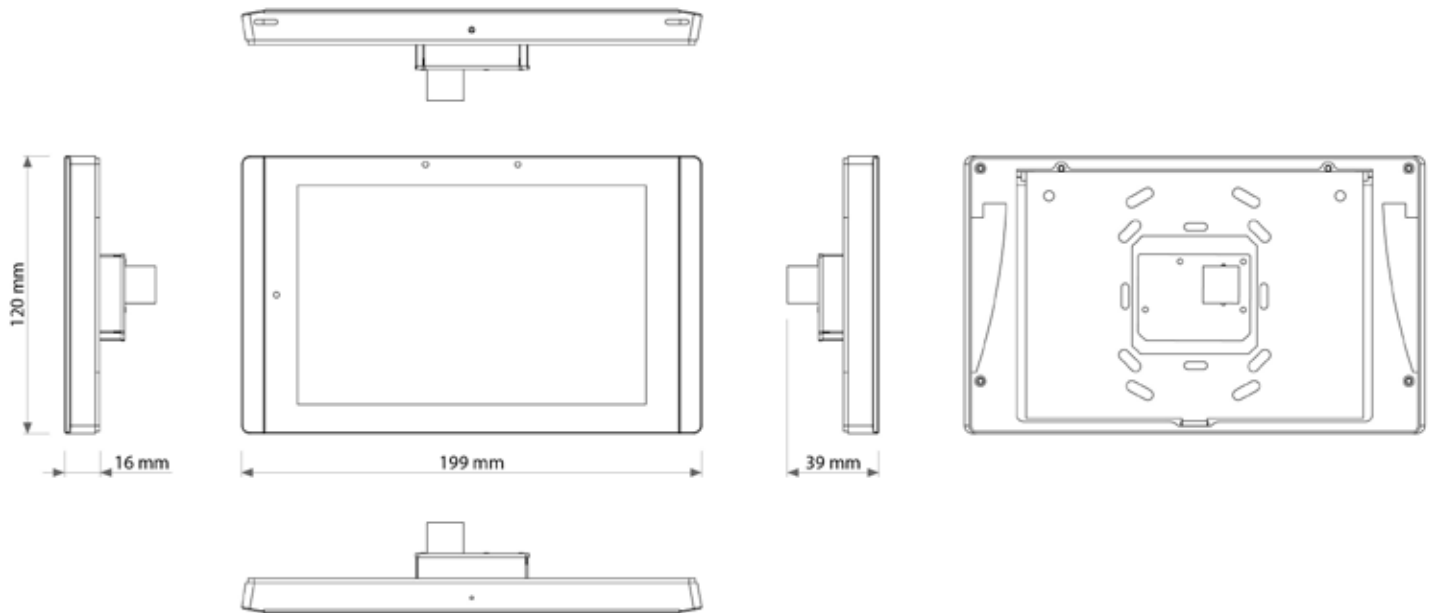


# IN-SESSION Room Scheduler Data Sheet

## Dimensional diagram of the RS-TOUCH12-W.



## Dimensional diagram of the RS-TOUCH12-M.



## Ordering Information

Item	Code
IN-SESSION Room Scheduler	
7"	
In-Wall	<b>RS-TOUCH7-W</b>
On-Wall	<b>RS-TOUCH7-M</b>
12"	
In-Wall	<b>RS-TOUCH12-W</b>
On-Wall	<b>RS-TOUCH12-M</b>

### Disclaimer:

Black Box Network Services shall not be liable for damages of any kind, including, but not limited to, punitive, consequential or cost of cover damages, resulting from any errors in the product information or specifications set forth in this document and Black Box Network Services may revise this document at any time without notice.

### About Black Box:

Black Box is a leading technology product solutions provider that helps customers build, manage, optimize, and secure their networks. The Black Box quality management system is ISO 9001:2008 certified, and the company has received numerous industry recognitions. Black Box provides its customers with free, 24/7 pre- and post-sales technical support. The Black Box catalog and Web site offer an extensive range of infrastructure products including Cabling, Cabinets & Racks, Data Center Cooling Solutions, Power & Surge Protection, and Environmental Monitoring.

© Copyright 2016. Black Box Corporation. All rights reserved. Black Box® and the Double Diamond logo are registered trademarks of BB Technologies, Inc. Any third-party trademarks appearing in this publication are acknowledged to be the property of their respective owners.