

USER MANUAL

UWL SERIES

WALLMOUNT CHARGING LOCKERS

24/7 TECHNICAL SUPPORT AT 1.877.877.2269 OR VISIT BLACKBOX.COM

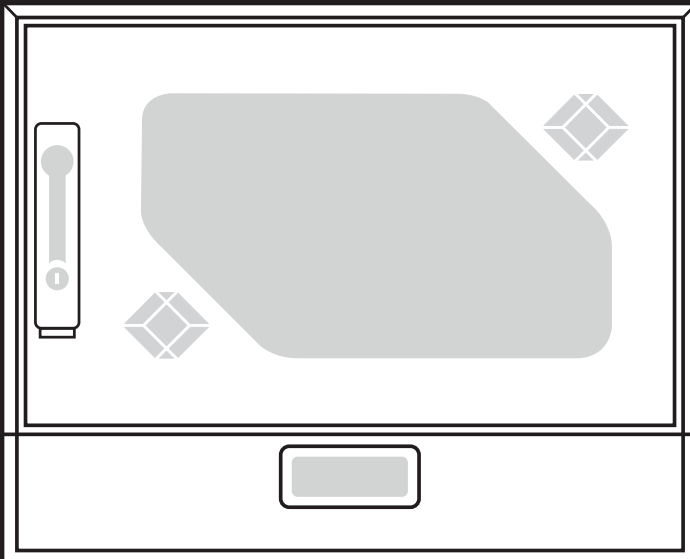


TABLE OF CONTENTS

SAFETY INFORMATION/ELECTRICAL PRECAUTIONS	3
Important Safety Information.....	3
Electrical Precautions	3
1. SPECIFICATIONS.....	4
1.1 Wallmount Charging Lockers General Specifications.....	4
1.2 Wallmount Charging Lockers Specifications by Part Number.....	5
2. OVERVIEW.....	6
2.1 Introduction.....	6
2.2 What's Included.....	6
3. CONFIGURATION AND SETUP.....	7
3.1 Unpacking	7
3.2 Routing the Cables.....	7
3.3 Wallmounting the Locker on 16" and 19" C/C Studs	8
3.4 Plugging In and Turning On the Locker	10
APPENDIX A. REGULATORY INFORMATION	11
A.1 FCC Statement	11
A.2 NOM Statement (Electrical Safety).....	11
TRADEMARKS USED IN THIS MANUAL.....	13



SAFETY INFORMATION/ELECTRICAL PRECAUTIONS

IMPORTANT SAFETY INFORMATION

WARNING! Death or serious injury may occur when children climb on the Locker. The locker can tip over onto the child.

WARNING! Avoid uneven loading of equipment onto the locker.

- ◆ Do not leave the locker unattended in areas where children have access.
- ◆ Do not block the air vent openings.
- ◆ The Locker should only be used for the storage of tablets, laptops, and other similar devices.
- ◆ Misuse, incorrect operation, or inadequate repair of the Locker will void the warranty.
- ◆ Never hang from the locker drawer or door.
- ◆ Only mount locker to flat walls with wall anchors into wood stud walls.
- ◆ Do not overload the locker past the maximum weight capacity.

ELECTRICAL PRECAUTIONS

DANGER! Failure to observe the following electrical safety precautions can result in fire or death by electric shock.

- ◆ The power switch must be in the "OFF" position before plugging the Locker into a wall receptacle.
- ◆ The Locker must ONLY be connected to a 110–120-volt AC, 15-amp power supply.
- ◆ The Locker must only be used by adults or with adult supervision.
- ◆ Do not plug the Locker in if the switch, receptacle(s), or power cord has been damaged. All electrical components on this product must be repaired by a qualified electrician.
- ◆ Do not use an extension cord in conjunction with the Locker.
- ◆ Do not use liquids in or around the Locker environment.
- ◆ Inadequate repair or modifications can create significant hazards to users and are not covered by warranty.
- ◆ For your safety, we recommend that a qualified electrician test the circuit you will be plugging the Locker into. The circuit should be checked for ground integrity and appropriate branch circuit protection.
- ◆ The Locker ground prong must be present for safe operation. If the plug is damaged or if the ground prong has been removed, it should be replaced by a qualified electrician.
- ◆ The use of the Locker, including plugging or unplugging laptops, plugging or unplugging the Locker, and operating the control switch, must be done with adult supervision.

CHAPTER 1: SPECIFICATIONS

1.1 WALLMOUNT CHARGING LOCKERS GENERAL SPECIFICATIONS

TABLE 1-1. GENERAL SPECIFICATIONS

SPECIFICATION	DESCRIPTION
General	
Approvals	UL approved power strips
Use	Indoor office and mobile use only
Assembled	Yes
Material	18 ga (1.2 mm) minimum thick steel
Construction	Riveted and bolted panels
Finish	Powder Coat
Color	Gray
Maximum Weight Capacity	150 lb. (68.2 kg)
Electrical	
Input Power	120 VAC, 15 A, 50-60 Hz, 1 Ph
Input Power Cord	NEMA 5-15P plug, min. 6-ft. (1.8-m) cord
Power Cord Access	(2) 1.3" (3.3 cm) DIA holes (Left and Right rear bottom corner)
On/Off Switch	(1) illuminated switch on PDU
Device Charging Type	(1) PDU with (12) total NEMA 5-15R outlets
Auxiliary Power	No
Dimensions	
Unit Height	17" (43.2 cm)
Unit Width	21" (53.3 cm)
Unit Depth	16" (40.6 cm)
Unit Weight	30 lb. (13.6 kg)
Shipping Height	21" (53.3 cm)
Shipping Width	25" (63.5 cm)
Shipping Depth	20" (50.8 cm)
Shipping Weight	40 lb. (18.2 kg)
Frame	
Ventilation	Min. 75% high flow steel mesh, (2) places per shelf
Warranty	
Cart	Lifetime
Electronics	3 Years



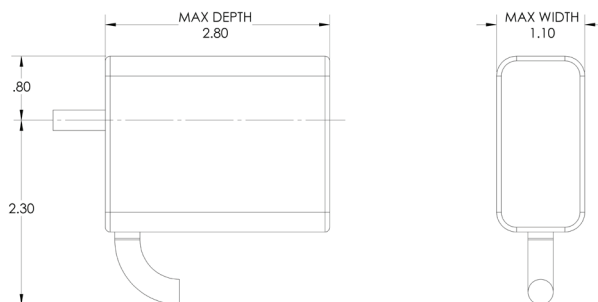
CHAPTER 1: SPECIFICATIONS

1.2 WALLMOUNT CHARGING LOCKERS SPECIFICATIONS BY PART NUMBER

TABLE 1-2. WALLMOUNT CHARGING LOCKERS SPECIFICATIONS BY PART NUMBER

PART NUMBER	TYPICAL DEVICE	DEVICE QUANTITY	LOCK TYPE	SEPARATE LOCKING DRAWER	MAX. DEVICE SIZE (INCHES)			MAX. WALLMOUNT POWER SUPPLY SIZE (INCHES)			MAX. POWER BRICK SIZE (INCHES)		
					HEIGHT	WIDTH	DEPTH	HEIGHT	WIDTH	DEPTH	HEIGHT	WIDTH	DEPTH
UWL-10KD	Chromebook	10	Key lock	No	12.5	1.48	13.9	3.1	1.1	2.8	3	1.8	5.5
UWL-10PD	Chromebook	10	Padlock	No	12.5	1.48	13.9	3.1	1.1	2.8	3	1.8	5.5
UWL-12KD	Chromebook	12	Key lock	No	12.5	1.2	13.9	3.1	1.1	2.8	3	1.5	5.5
UWL-12PD	Chromebook	12	Padlock	No	12.5	1.2	13.9	3.1	1.1	2.8	3	1.5	5.5
UWL-10KLD	Chromebook	10	Key lock	Yes	12.5	1.48	13.9	3.1	1.1	2.8	3	1.8	5.5
UWL-10PLD	Chromebook	10	Padlock	Yes	12.5	1.48	13.9	3.1	1.1	2.8	3	1.8	5.5
UWL-12KLD	Chromebook	12	Key lock	Yes	12.5	1.2	13.9	3.1	1.1	2.8	3	1.5	5.5
UWL-12PLD	Chromebook	12	Padlock	Yes	12.5	1.2	13.9	3.1	1.1	2.8	3	1.5	5.5

MAXIMUM WALLMOUNT POWER SUPPLY DIMENSIONS



CHAPTER 2: OVERVIEW

2.1 INTRODUCTION

The Wallmount Charging Lockers are ideal for smaller classrooms, offices, and training environments that are short on space. The Lockers can be wallmounted or placed on desks, tables, filing cabinets, or shelves. Each Locker is designed to store and charge up to 10 or 12 tablets, 15" Chromebooks, and other similarly-sized devices. You can even create locker walls and blocks by stacking the lockers on top of each other or mounting them side-to-side and back-to-back. Each Locker plugs into a typical 120-V, 15-A outlet.

The Wallmount Charging Lockers can be equipped in eight configurations according to the following standard options/features.

- ◆ 10 or 12 stored devices
- ◆ Adjustable-depth 19" rackmount rails so you can mount IT equipment for different uses
- ◆ Locking steel front door
- ◆ On some models, a separate keyed lockable drawer provides a place to store electronics
- ◆ Keyed front door or padlocking front door

The Wallmount Charging Lockers feature a heavy-duty steel frame and hold up to 150 pounds.

Please know and understand the configuration of your Locker and read these operating instructions carefully. The manual contains important information concerning the use and safety of your Locker and the operators. This Locker must be used for its intended purpose only and in accordance with these operating instructions.

2.2 WHAT'S INCLUDED

Your package should contain the following items. If anything is missing or damaged, contact Black Box Technical Support at 877-877-2269 or info@blackbox.com.

- ◆ (1) Locker
- ◆ (2) sets of keys for front door
- ◆ (2) sets of keys for locking drawer (if equipped)



CHAPTER 3: CONFIGURATION AND SETUP

3.1 UNPACKING

Remove and discard all packaging materials.

Open and inspect the locker to verify all doors and locks are working properly.

Do not plug the locker into a wall outlet until all configurations and setup are complete.

3.2 ROUTING THE CABLES

1. Open the drawer of the locker and attach the wrapped cord and power brick of the device to the shelf using the hook and loop strap. Keep some extra cable unwrapped to plug into the power strip.

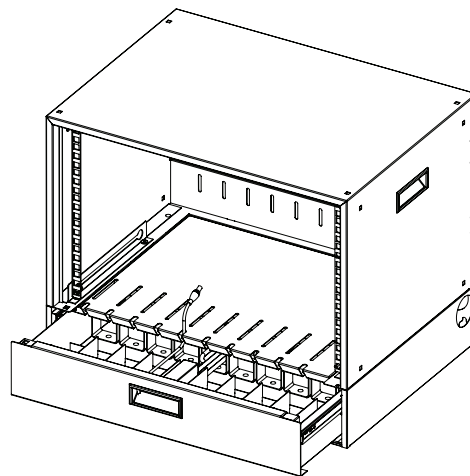


FIGURE 3-1. ROUTING THE CABLES DIAGRAM #1.

2. Place the device power cord into the corresponding cord hanger with the plug going into the device space of the locker.

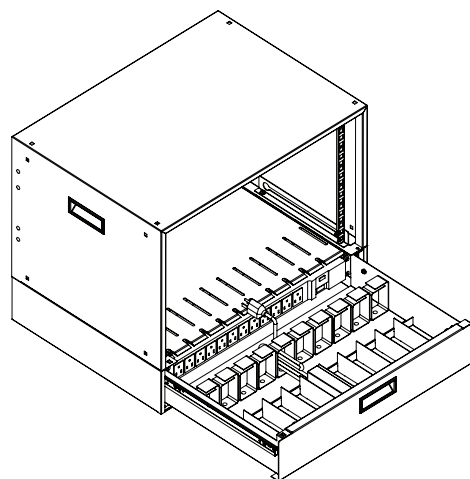


FIGURE 3-2. ROUTING THE CABLES DIAGRAM #2.

CHAPTER 3: CONFIGURATION AND SETUP

3.3 WALLMOUNTING THE LOCKER ON 16" AND 19" C/C STUDS

Only mount to solid, flush walls with mounting hardware into wood studs only.

1. Using the template below, measure and mark out the locations of the desired mounting holes on the wall.

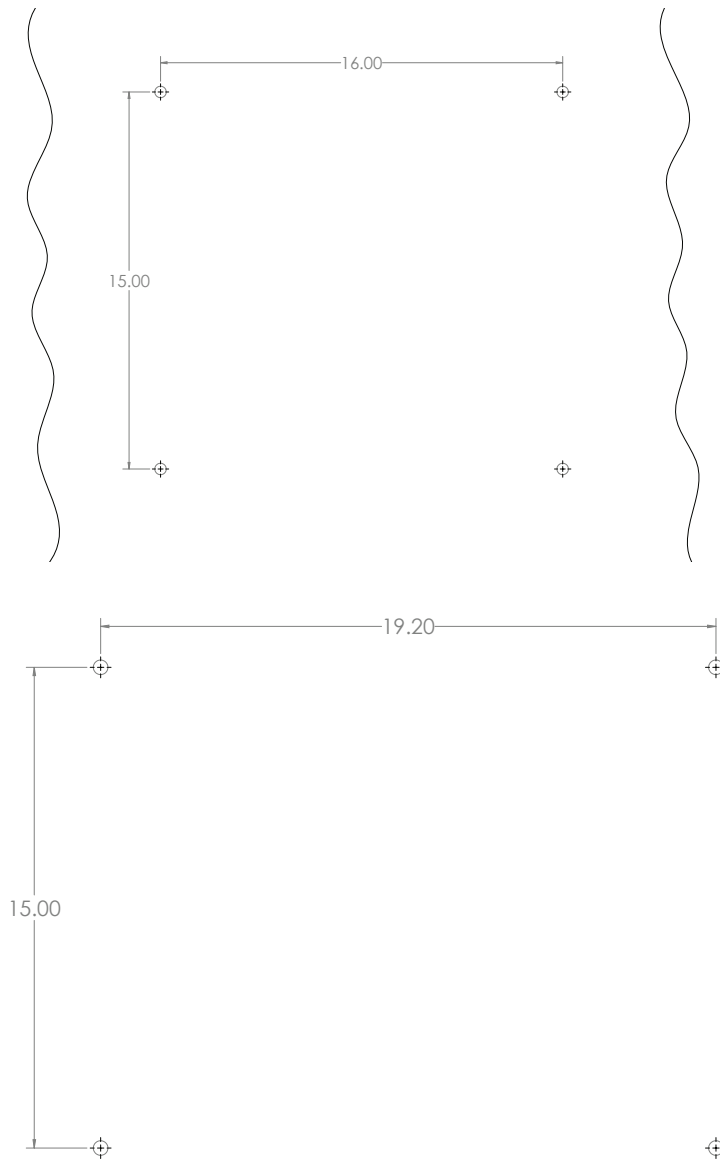


FIGURE 3-3. WALLMOUNTING TEMPLATE

CHAPTER 3: CONFIGURATION AND SETUP

2. Attach the mounting hardware to the wall as shown below in the corresponding mounting hole locations. Do not screw in completely.

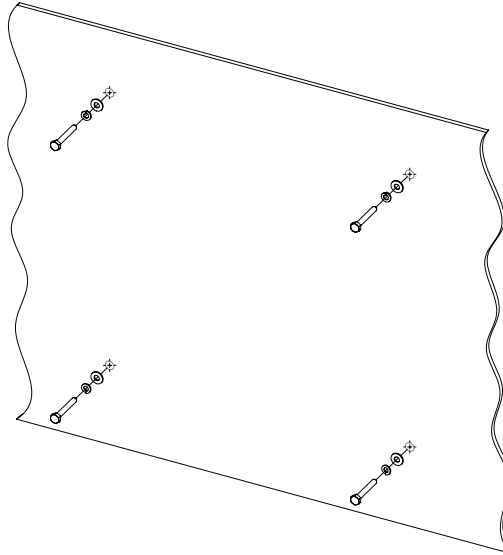


FIGURE 3-4. ATTACHING THE MOUNTING HARDWARE

3. Place the Wallmount Locker onto the mounting hardware on the wall as shown.

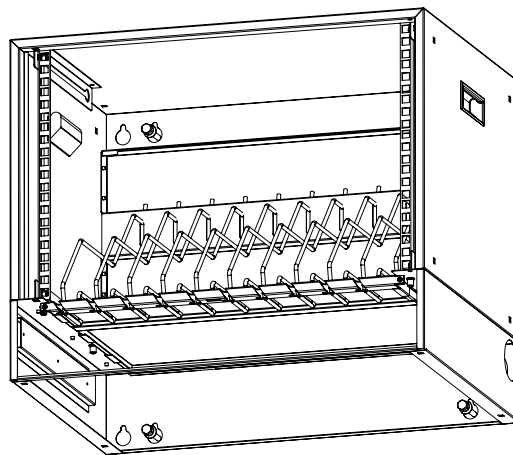


FIGURE 3-5. PLACING THE LOCKER ON THE MOUNTING HARDWARE

4. Tighten the mounting hardware to hold the Wallmount Locker against the wall.

CHAPTER 3: CONFIGURATION AND SETUP

3.4 PLUGGING IN AND TURNING ON THE LOCKER

After the devices have been loaded into the Locker, plug the power cord of the Locker into a typical wall outlet.



APPENDIX A: REGULATORY INFORMATION

A.1 FCC STATEMENT

This equipment generates, uses, and can radiate radio-frequency energy, and if not installed and used properly, that is, in strict accordance with the manufacturer's instructions, may cause interference to radio communication. It has been tested and found to comply with the limits for a Class A computing device in accordance with the specifications in Subpart B of Part 15 of FCC rules, which are designed to provide reasonable protection against such interference when the equipment is operated in a commercial environment. Operation of this equipment in a residential area is likely to cause interference, in which case the user at his own expense will be required to take whatever measures may be necessary to correct the interference.

Changes or modifications not expressly approved by the party responsible for compliance could void the user's authority to operate the equipment.

This digital apparatus does not exceed the Class A limits for radio noise emission from digital apparatus set out in the Radio Interference Regulation of Industry Canada.

Le présent appareil numérique n'émet pas de bruits radioélectriques dépassant les limites applicables aux appareils numériques de la classe A prescrites dans le Règlement sur le brouillage radioélectrique publié par Industrie Canada.

A.2 NOM STATEMENT (ELECTRICAL SAFETY)

INSTRUCCIONES DE SEGURIDAD

1. Todas las instrucciones de seguridad y operación deberán ser leídas antes de que el aparato eléctrico sea operado.
2. Las instrucciones de seguridad y operación deberán ser guardadas para referencia futura.
3. Todas las advertencias en el aparato eléctrico y en sus instrucciones de operación deben ser respetadas.
4. Todas las instrucciones de operación y uso deben ser seguidas.
5. El aparato eléctrico no deberá ser usado cerca del agua—por ejemplo, cerca de la tina de baño, lavabo, sótano mojado o cerca de una alberca, etc.
6. El aparato eléctrico debe ser usado únicamente con carritos o pedestales que sean recomendados por el fabricante.
7. El aparato eléctrico debe ser montado a la pared o al techo sólo como sea recomendado por el fabricante.
8. Servicio—El usuario no debe intentar dar servicio al equipo eléctrico más allá lo descrito en las instrucciones de operación. Todo otro servicio deberá ser referido a personal de servicio calificado.
9. El aparato eléctrico debe ser situado de tal manera que su posición no interfiera su uso. La colocación del aparato eléctrico sobre una cama, sofá, alfombra o superficie similar puede bloquea la ventilación, no se debe colocar en libreros o gabinetes que impidan el flujo de aire por los orificios de ventilación.
10. El equipo eléctrico deber ser situado fuera del alcance de fuentes de calor como radiadores, registros de calor, estufas u otros aparatos (incluyendo amplificadores) que producen calor.
11. El aparato eléctrico deberá ser conectado a una fuente de poder sólo del tipo descrito en el instructivo de operación, o como se indique en el aparato.
12. Precaución debe ser tomada de tal manera que la tierra física y la polarización del equipo no sea eliminada.
13. Los cables de la fuente de poder deben ser guiados de tal manera que no sean pisados ni pellizcados por objetos colocados sobre o contra ellos, poniendo particular atención a los contactos y receptáculos donde salen del aparato.
14. El equipo eléctrico debe ser limpiado únicamente de acuerdo a las recomendaciones del fabricante.
15. En caso de existir, una antena externa deberá ser localizada lejos de las líneas de energía.
16. El cable de corriente deberá ser desconectado del cuando el equipo no sea usado por un largo periodo de tiempo.
17. Cuidado debe ser tomado de tal manera que objetos líquidos no sean derramados sobre la cubierta u orificios de ventilación.

APPENDIX A: REGULATORY INFORMATION

18. Servicio por personal calificado deberá ser provisto cuando:

- A: El cable de poder o el contacto ha sido dañado; u
- B: Objetos han caído o líquido ha sido derramado dentro del aparato; o
- C: El aparato ha sido expuesto a la lluvia; o
- D: El aparato parece no operar normalmente o muestra un cambio en su desempeño; o
- E: El aparato ha sido tirado o su cubierta ha sido dañada.



TRADEMARKS USED IN THIS MANUAL

Black Box® and the Double Diamond logo are registered trademarks of BB Technologies, Inc.

UL® is a registered trademark of Underwriters' Laboratories.

Any other trademarks mentioned in this manual are acknowledged to be the property of the trademark owners.



**NEED HELP?
LEAVE THE TECH TO US**

**LIVE 24/7
TECHNICAL
SUPPORT**

1.877.877.2269

